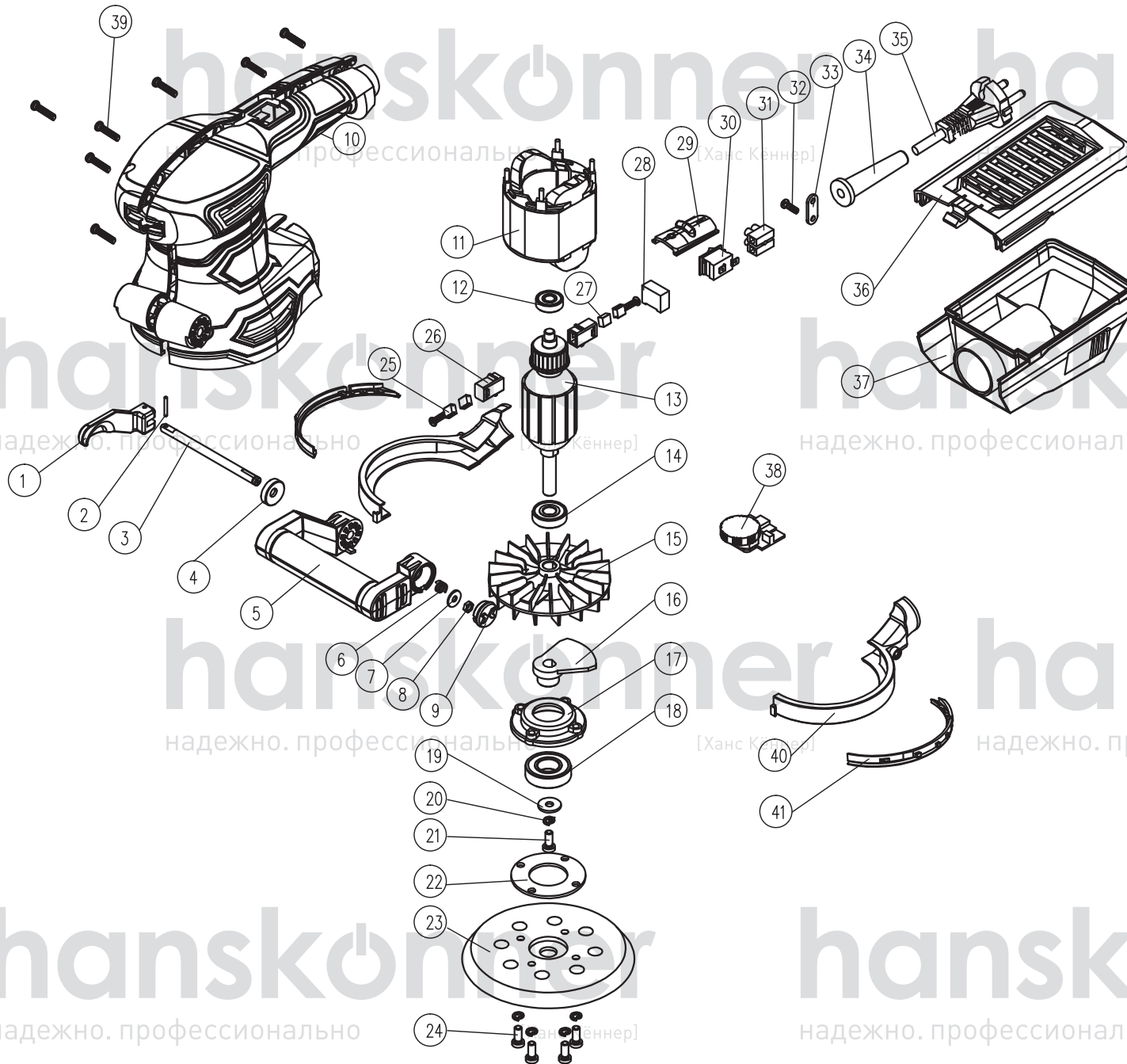


HOS8145R



NO.	DESCRIPTION
1	CLAMP WRENCH
2	ELASTIC PIN
3	CONNECTION POLE
4	CUSHION
5	AUXILIARY HANDLE
6	SPRING
7	FLAT CUSHION
8	NUT
9	COVER
10	HOUSING
11	STATOR
12	607 BEARING
13	ROTOR
14	609 BEARING
15	FAN
16	BALANCE BLOCK
17	BEARING SEAT
18	6002 BEARING
19	BACK-UP PLATE
20	SPRING CUSHION
21	SCREW M5X16
22	4 HOLE PRESSING BOARD
23	BASE 125/150MM
24	SCREW
25	CARBON BRUSH
26	BRUSH BOX
27	BRUSH HOLDER
28	CAPACITY
29	SWITCH POLE
30	SWITCH
31	WIRING TERMINAL
32	SCREW ST3.9X12
33	CABLE PRESS BOARD
34	CABLE SHEATH
35	CABLE&PLUG
36	DUST BOX COVER
37	DUST BOX
38	CIRCUIT BOARD
39	SCREW ST3.9X12
40	WIND GUIDE RING
41	BRAKE RING

HOS8145R-EX-20210827